

OPERATOR TRAINING REQUIRED WARNING!!!

✓ Carefully read and understand all the instructions pertaining to the Wood Chipper in the operator's manual before operating your new machine. Anyone who operates or services this machine must read the owner's manual first. If any doubt or question arises about the safe and/or correct method of performing anything in this manual, contact one of our representatives at our head-office.

✓ Avoid accidents by being alert and recognizing potential hazards. Not all possible circumstances can be anticipated in this manual. Keep your Wood Chipper and work area safe for yourself and others. Proper care and safety is your responsibility.

NOTE! If your Wood Chipper is equipped with a Honda engine or any other attachments, be sure to read those manuals.

Warning:

The engine exhaust from this product contains chemicals known to the State of California to cause cancer, birth defects or other reproductive harm.

✓ All operators must have the necessary training and skills to operate the machine properly and safely. Use the controls correctly, and follow the safety signs and recommendations.

✘ Never allow untrained persons to operate or service the equipment.

✘ Never let persons under the age of 18 operate the Wood Chipper.

✓ The owner is responsible for accidents and injuries to themselves and/or other persons operating their machine. If others are permitted to use this machine it is the responsibility of the owner to train users.

✓ New users may operate this machine in a clear, unobstructed area under the supervision of an experienced operator, only after they have read and understand the owner's manual.

SAFE OPERATION

✓ Only allow responsible adults who are familiar with the instructions to operate this machine.

✓ Inspect your machine each time before use. Special attention should be taken that all guards are in place, damaged or missing parts are replaced, and that all the safety decals highlighted in the safety labels section are in place on the machine.

✓ Only one person may operate the machine at any time. More than one operator greatly increases the chance of personal injury or death.

✘ Never leave machine unattended while running.

✘ Never operate machine when under the influence of alcohol or drugs.

✘ Do not alter; add accessories, or attachments to your Wood Chipper without the approval of the manufacturer. Doing any of the above without the manufacturer's approval WILL VOID THE WARRANTY. If attachments have been added with the approval of the manufacturer, be sure to keep safety labels visible.

✓ Your machine is designed to chip wood only! Stones, metal, gravel, and other foreign objects will cause damage to the machine and increase the chance of personal injury or death.

Worksite Safety

✓ Keep area around the Wood Chipper clear from tall grass, debris, tools, and pieces of wood at all times.

✓ Operate Wood Chipper on level surface only.



✗ Do not operate machine when distracted by others. Keep children and pets at least 25 feet away from the work area to protect them from possible injuries. Keep other distractions such as radio, television etc. away.

✓ Only use machine during daylight hours. Use of this machine without proper lighting can lead to personal injury or death.

✓ Protect yourself at all times while operating your machine. Safety glasses, steel-toed boots and ear protection should be worn at all times. Loose clothing is also not permitted around your machine.



✓ Keep hands and body parts clear of cutting blades.

✗ Do not transport this machine while the motor is running. This may cause permanent damage to your engine.

✓ Always disconnect the spark plug when the Wood Chipper is not in use or is being serviced.





OPERATION

Warm the Honda engine to operating temperature before chipping wood.

Make sure that you have read and understood all safety recommendations before operating the machine.

If any unnecessary noise occurs stop operation immediately and check for damage. If nothing can be seen bring it to a dealer to inspect. If there is no dealer in your area, contact Split-fire Sales Inc. to discuss the problem.

Take a break every couple hours. Continuous work can create extra stress which can lead to an accident.

STORAGE

Important! When storing your Wood Chipper special attention should be drawn to the areas listed below.

After each use make sure machine is clean and is free of wood chips around motor, intake chute and exhaust chute.

If your machine is equipped with an engine, read that manual as well for storage tips.

FAILURE TO OBEY THESE RULES CAN CAUSE TRAILER TO DETACH WHILE TOWING WHICH MAY CAUSE SERIOUS INJURY OR DEATH!

NEVER EXCEED WEIGHT CAPACITY OF BALL OR LOAD LIMITS STAMPED ON COUPLER.

ALWAYS USE SAFETY CHAINS PERSUANT TO INSTRUCTIONS OF TRAILER MANUFACTURER.

ALWAYS USE CORRECT SIZE BALL SHOWN BY STAMP ON COUPLER.

ALWAYS CHECK THAT BALL IS COMPLETELY INSERTED INTO COUPLER SOCKET AND THAT UNDERJAW IS SECURELY CLOSED AROUND THE BOTTOM OF BALL.

ALWAYS CHECK THAT COUPLER HANDLE IS PROPERLY LOCKED BEFORE TOWING.

ALWAYS EXAMINE COUPLER AND BALL FOR DAMAGE BEFORE TOWING. REPLACE IF DAMAGED.

AVOID SHARP TURNS AND STEEP VERTICAL ANGLES WHEN TOWING WHICH MAY BEND OR DAMAGE COUPLER OR ITS COMPONENTS

13

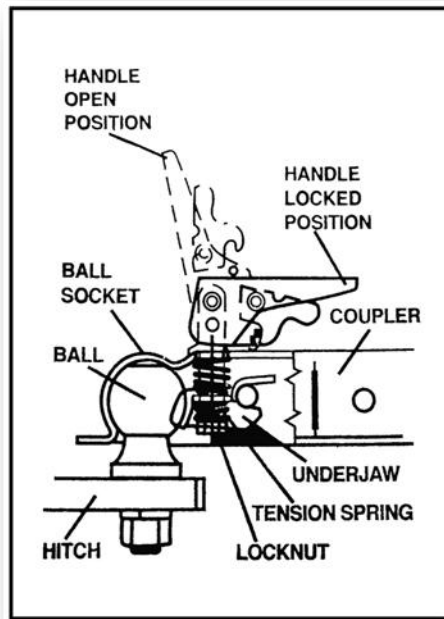
POSI-LOCK COUPLER

OPERATION INSTRUCTIONS

Adjust coupler locking pressure on ball before use. Place handle in locked position with ball in coupler. Tighten locknut against tension spring so that coupler is not loose on ball. Correct adjustment will allow handle to be released with moderate pressure applied to handle.

To open, pull up on coupler handle and rotate forward. Place coupler on ball. When ball is completely nested in ball socket, rotate coupler handle backward until handle is in locked position.

After towing for 50 miles, check coupler for tightness on ball. Always check tightness before towing. Be sure coupler handle is in locked position.



14

SAFETY LABELS

The machine safety labels shown in the section below are very important. They are placed in areas on the machine that draw the attention of the operator to potential safety hazards on the machine. If at any time the stickers are removed, or come off, contact your dealer or the manufacturer immediately for replacement decals.

The operator's manual explains the potential safety hazards in detail associated to each decal. Special attention should be kept for these recommendations. They are outlined for your safety.



⚠ WARNING

WARRANTY

Split-fire Sales Inc. guarantees the original purchaser of any new Split-fire machine, that the same is free of defects in workmanship or materials that may cause performance failure, subject to the conditions hereafter.

Split-fire must be contacted before the problem on the machine has been fixed. Split-fire will diagnose the problem and authorize any warranty work that will be allowed. If Split-fire does not authorize or parts are not sent from Split-fire Warranty will not be applicable.

This guarantee is limited to a period of one year from the date of purchase. Replacement of any defective part is free of charge FOB Split-fire sales Inc. If Split-fire requires the parts to be returned to Split-fire, Split-fire will pay for that shipping.

This guarantee does not apply to engines or other parts that are manufactured and guaranteed by the manufacture thereof, nor does this apply with respect to any part or product that:

1. has original parts removed or otherwise altered without specific authorization beforehand from Split-fire Sales Inc.

2. has had placed upon or attached to it any part or product not sold or approved by Split-fire Sales Inc.
3. has been damaged or is not used in conformity with the applicable instruction for the machine.
4. has not been properly adjusted, or maintained by the owner.
5. has been adjusted or altered to increase the performance of the machine.

This guarantee is in lieu of, and excluded all other guarantees and conditions of merchantability and fitness for a purpose. Acceptance of a Split-fire Sales product constitutes an agreement that Split-fire Sales shall have no liability for any special or consequential damage.

7

6

Towing Your Wood Chipper

Take extra care when hooking up and towing your Wood Chipper.

Before Towing, make sure your Wood Chipper is in safe towing condition. Inspect tires, bearings, lights, hitch, and safety chains.

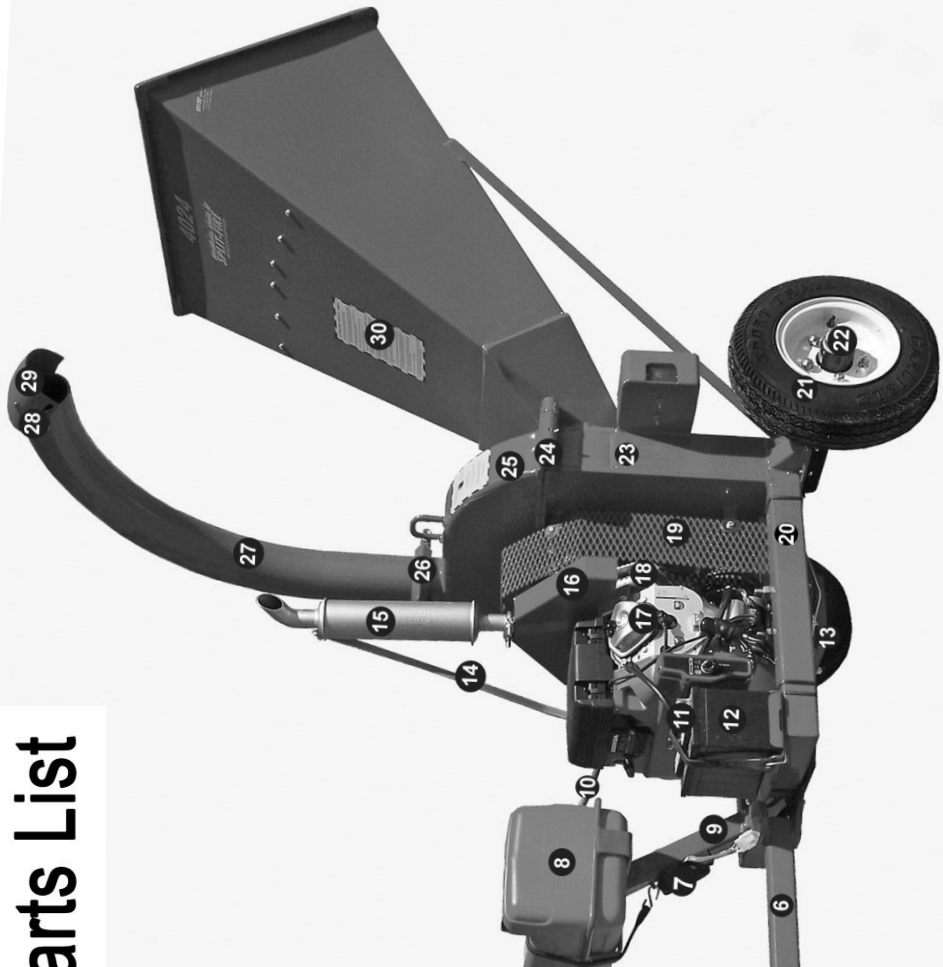
Make sure the hitch is attached securely to when attaching the Wood Chipper to the vehicle. The hitch coupler and hitch ball should fit snug when locked.

Attach your Wood Chipper to your vehicle with the hitch and the safety chains. Make sure the safety chains cross under the hitch to prevent the hitch from dropping to the ground should the hitch disconnect. Chain hooks should have latches to prevent disconnecting. Each chain should have a breaking strength equal to the gross weight of the Wood Chipper.

Towing a Wood Chipper puts additional weight on your vehicle. Increase the space around your vehicle to drive and stop safely.

When towing your Wood Chipper, do avoid pot holes, curbs, and all other obstacles. At some speeds, a sudden bump may result in an overturned Wood Chipper.

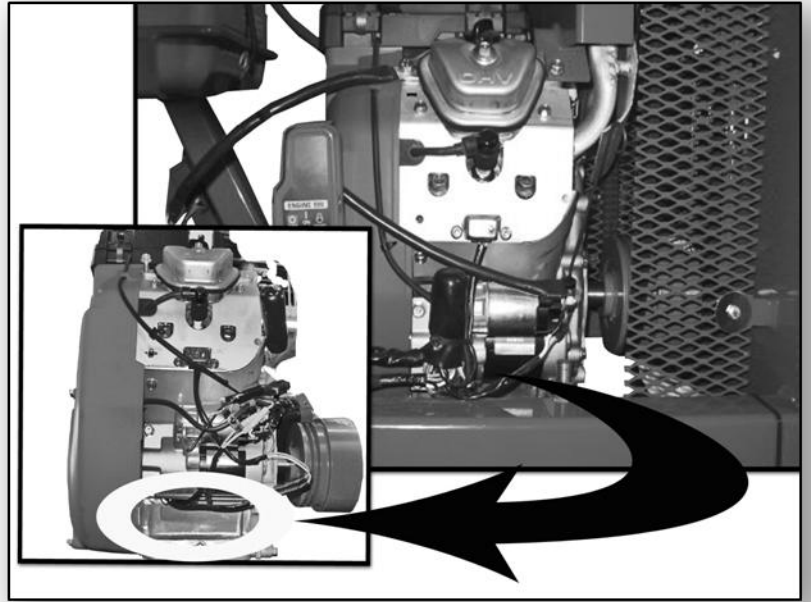
Parts List



15

16

Engine Serial Number



FRAME SERIAL NUMBER



Frame Serial Number: (XX XX XX)

5

4

PRODUCT IDENTIFICATION

If you ever need to contact your dealer or the manufacture for parts or questions regarding the operation or servicing of the machine, it is important to have the model number as well as all the necessary identification numbers. Using the sample pictures below you can find the necessary number to complete the spaces below.

Date of Purchase:

Dealer Name:

Dealer Phone Number:

Engine Serial Number: (XXXXXXXX)

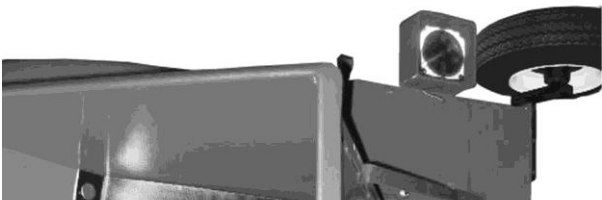
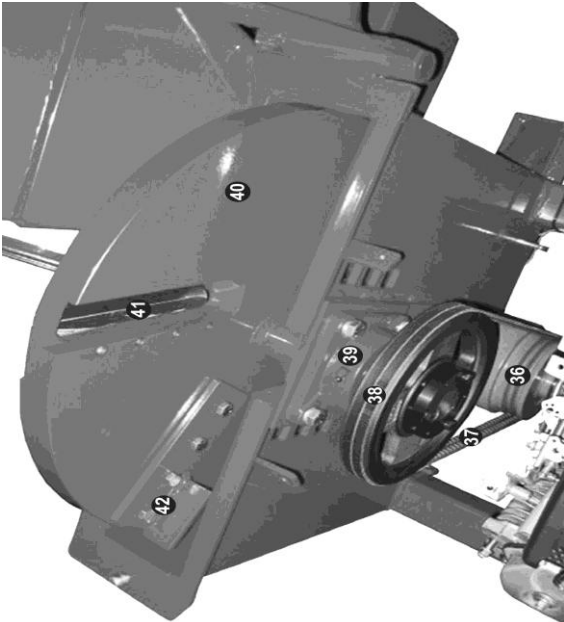
- 16 - Manifold Shield
- 17 - Motor assembly
- 18 - Manifold
- 19 - Belt guard
- 20 - Frame
- 21 - Tire (480 - 8)
- 22 - High speed hub
- 23 - Chipper box bottom half
- 24 - Chipper box top half pin
- 25 - Chipper box top half
- 26 - Exhaust chute clamp assembly
- 27 - Exhaust chip chute
- 28 - Locking handle
- 29 - Chip Deflector
- 30 - Decal kit (13 pc.)

sembly
sembly

sembly
e
sembly
sembly

17

18



WARNING!!! which suggests, a strong chance of personal injury or death to the operator or bystanders if procedures are ignored.

IMPORTANT: which suggests, a strong chance of potential damage to the machine may occur if procedures are ignored.

NOTE: suggests to the operator, General information given to help the operator to operate or service the machine.

Your machine has been tested and inspected to ensure good performance prior to leaving the factory.

While reading the manual, important messages are used to bring the operator's attention where there may be safety concerns relating to machine damage and important servicing information. Please read all these messages to avoid personal injury and machine damage. The three main messages will start with:

3

2

HOW TO USE YOUR OPERATOR'S MANUAL

This owner's manual is a very important part of your new machine and should remain a permanent part of it. If the machine is sold, the operator's manual must go with it.

By reading the operator's manual you will help yourself and others avoid unnecessary personal injury and/or damage to the machine. The information recorded in this manual will help you use this machine safely and effectively. Once you know how to operate the machine correctly and safely, you can train others to operate the machine as well.

If your machine has been ordered with any options or attachments please refer to the individual operator's manual that is included with that individual accessory.

The machine that is used in this manual for illustration may differ slightly from your model. It will be similar enough to help you understand our instructions.

Throughout this manual the terms "Left Hand" and "Right Hand" and "front" and "back" will be used. These sides are determined by the in-feed chute which is always the back of the Wood Chipper.

36 - Clutch assembly
37 - Belts
38 - Top pulley
39 - Front bearing assembly
40 - Rotor
41 - Blade (2 pc.)
42 - Paddle (2 pc.)

Dimension
Left and right
assembly
bearing assembly
ops (2 pc.)

__ Position the chipper on a level surface away from any objects.

__ Make sure no persons or objects are in line with exhaust chute.

__ Check motor to make sure it is securely tightened to frame.

__ Refer to Honda motor owner's manual for engine operation instructions.

19

20

Pre-Start Checklist

WARNING!!!!

By skipping one or any of these instructions greatly increases the chance of personnel injury or death. It is highly recommended to follow this procedure before each use of the Wood Chipper,

__ Inspect rotor, chipping, and mulching blades for cracks, wear, and chipping blades to the rotor with a torque of 580 in./lbs..

__ Inspect rotor, intake and exhaust chutes for any obstructions.

__ Adjust deflector to desired position and height.

__ Inspect pulleys and belts for wear and damage.

__ Check belt tension and adjust accordingly.

__ Make sure all bearings are greased daily.

__ Make sure all pins and lock pins are secured in place.

CONTENT

HOW TO USE YOUR OWNERS MANUAL 2

PRODUCT IDENTIFICATION 4

WARRANTY 6

SAFETY

SAFETY LABELS 7

OPERATION SAFETY 10

WORKSITE SAFETY 12

OPERATION AND MAINTENANCE

OPERATION. 13

STORAGE 13

TOWING

COUPLER OPERATION INSTRUCTIONS 14

TOWING YOUR WOOD CHIPPER 15

GENERAL PARTS LIST 16

Machine Operator Safety Instructions

1. Each person that operates this Split-fire Wood Chipper must read and understand this checklist and the rest of the owner's manual before operation.
2. Always wear ear, eye, hand, and foot protection when operating the Wood Chipper. Never wear loose clothing.
3. Before operating machine, check that all guards and deflectors, pins and locking pins are in place and are in good working condition, and all nuts and bolts are properly tightened.
4. Do not operate this equipment in the vicinity of bystanders. Do not allow children to operate this equipment.
5. Do not transport this machine while it is running.
6. Body parts must never enter the in-feed or the exhaust chute. Use a Long Branch or stick to push in small material.
7. After starting machine always check the kill switch (on/off) to make sure it is operating correctly.
8. This machine is designed to chip wood and brush only! Stones, metal, gravel, and other foreign objects will cause damage to this machine and increase the possibility of personnel injury.
9. If the machine becomes clogged or before a routine inspection, shut off the engine, disconnect the spark plug cable(s) from the

spark plug(s) and make sure the machine has come to a complete stop. Then cleaning and servicing can take place safely.

10. Keep the area around the equipment clear of any debris or large accumulations of material in order to have a solid footing and a sure balance.
11. Do not allow processed material to built up around discharge area. Blow chips away from the machine to prevent clogging or a fire hazard.

21

12. When foreign materials of any type enter the chipper, or when the equipment starts to vibrate, it must be immediately shut off and inspected. Then replace, repair, or tighten any parts where needed.
13. Carbon monoxide can be extremely dangerous in enclosed areas. Do not run equipment in enclosed areas as the exhaust from the engine contains carbon monoxide.
14. Operate machine on a level surface only. Do not operate on a paved or gravel surface.
15. Failure to comply with these guidelines may cause serious injury or death.

Note!

Read and understand the Honda Motor owner's manual for safe and dependable engine operation before using this equipment.

I have read and fully understand all of the above.

Customer/Operator Signature: _____

Date: _____ / _____ / 20_____

22

Thank You for Purchasing a Split-fire Wood Chipper

*We appreciate having you as our customer
and wish you many years of safe and satisfactory operation
with your machine.*

SPLIT-FIRE SALES INC.

*285633 Airport Road
Norwich, ON N0J 1P0
Canada*

1-877-548-3473 / 519-468-3647



Owners Manual



